

# 12.1" Capacitive IP65 HB Touch Monitor



- Comprehensive IP65 protection for applications under harsh circumstances, including water- and dustproof
- 1000+ cd/m<sup>2</sup> brightness for increased visibility even at extremely bright environmental conditions
- Extended voltage input 8–36V
- All-in-One cable (VGA or HDMI)
- 10-Finger-Multi Touch Capacitive Touch Panel
- VESA 100 mounting
- 2 years guarantee

For industrial and outdoor applications in harsh environments, faytech provides IP65 High Brightness Touch Monitors, which are the perfect solution for such applications.

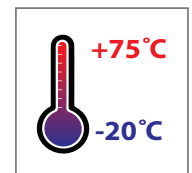
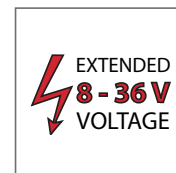
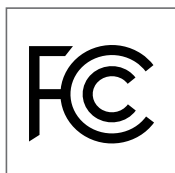
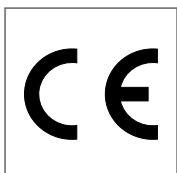
#### Advantages of these devices:

- Increased brightness (1000+ cd/m<sup>2</sup>)
- Complete IP65 protection (dust- and waterproof)
- All-in-one cable solution, with VGA or HDMI video connection, USB for Touch and a 8-36V power supply.

The case of the device consists of a robust, sealed aluminum enclosure, with on the front two buttons to adjust the brightness (with 5 available 5 levels). On the back of the device are fixation holes for either VESA 75 or VESA 100 mounting, which ensures solid fixation in any environment.

#### Available customizations:

- All-in-one cable, e.g. VGA, HDMI, Video, DVI, S-Video, Audio, Power supply, Voltage, USB or Serial for touch.
- Case color, logo's, housing and fixation
- Rail and/or VESA 75, VESA 100 on the back



<b>Product name</b>	12.1" Capacitive IP65 HB Touch Monitor
<b>Article code / EAN number</b>	FT121TMIP65HBCAP / 6920734012138

IP rating	
IP65	

LCD Panel	
Screen diagonal (Inch/cm)	12.1/30.73
Display active screen size (cm)	24.60×18.40
Aspect ratio	4:3
Physical resolution	1024×768
Maximum showable resolution	1920×1080
Colours displayed	16.7M
Brightness (cd/m²)	1000+
Contrast	700:1
Typical reaction time Tr/ Tf (ms)	25/10
Visual Angle horizontal/vertical (°)	160/160
Backlight / Backlight Lifetime (hours)	LED / 40,000

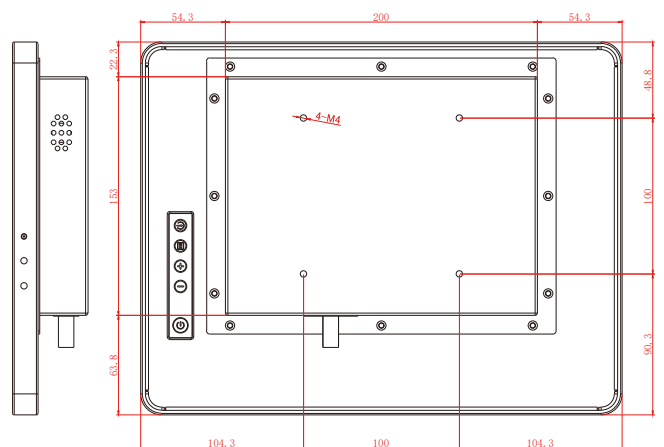
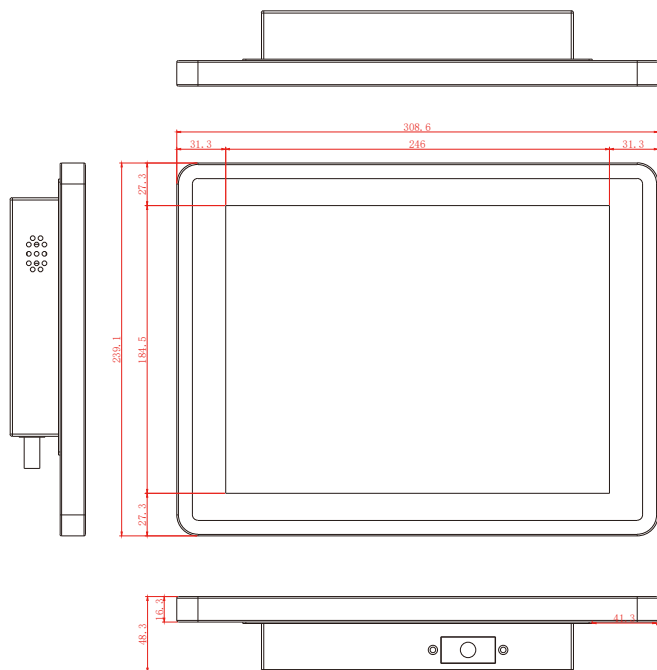
External Connectors	
All-In-One cable VGA version	1x VGA
	1x Video-In ( RCA, AV )
	2x Audio-In ( R/W )
	1x USB-Touch
	1x 8-36V DC-IN
All-In-One cable HDMI version	1x HDMI
	1x USB-Touch
	1x 8-36V DC-IN

Touch Panel	
Touch Technology	Projected Capacitive 10-Point Multitouch
Touch Panel Drivers	Windows; Linux; Mac; Android
Touch Life (Contacts)	Unlimited
Surface Hardness	7H
Surface Treatment	Anti-glare (chemically etched)

Operation / Mechanical	
Operating Temperature (°C)	-20 ~ +75
Humidity Range (RH)	10% - 90%
Net weight (kg)	1.50
Gross weight (kg)	3.00 (incl. cartonage)
Housing material	Rubber front case and Aluminum back case
Housing (cm) L × W × H	30.86 × 23.91 × 4.83
Mounting	VESA 100

Power	
Power Indicator	Green LED
Power Supply	100-240V ACDC active switching; 12V DC-Out
Working Power (V)	8~36
Power Consumption (W)	20
Stand-By Consumption (W)	<1

Included in the Delivery	
Power Supply (see Power section)	
Driver DVD	
Short Installation Manual	
All-In-One cable (VGA or HDMI)	



## Corporate Headquarters

**faytech AG**  
Bischhäuser Aue 10  
37213 Witzenhausen  
Germany

[support@faytech.com](mailto:support@faytech.com)  
[contact@faytech.com](mailto:contact@faytech.com)  
[www.faytech.com](http://www.faytech.com)

China: +86 755 8958 0612  
Germany: +49 5542 30374 10  
USA: +1 646 205 3214  
India: +91 11 49707436  
Japan: +070 4127 5167